

# Perigee II

**ASYLUM DESIGNS**  
 P.O. Box 5584  
 Auburn, CA 95604, USA  
 Tel: +1 530.823.5222 Fax: +1 530.889.8269  
 www.asylumbase.com support@asylumbase.com

## Customer Information

Name \_\_\_\_\_  
 Street \_\_\_\_\_  
 City \_\_\_\_\_ Phone \_\_\_\_\_  
 Country \_\_\_\_\_ Fax \_\_\_\_\_  
 Postal Code \_\_\_\_\_ E-Mail \_\_\_\_\_

## Rig Specifications

See reverse for available colors

Canopy \_\_\_\_\_ Fit:  Standard  Soft  
 1 \_\_\_\_\_ 5 \_\_\_\_\_  
 2 \_\_\_\_\_ 6 \_\_\_\_\_  
 3 \_\_\_\_\_ 7 \_\_\_\_\_  
 4a \_\_\_\_\_ 8 (Trim Tape) \_\_\_\_\_  
 4b \$ \_\_\_\_\_ Sidewall \$ \_\_\_\_\_  
 (if different from #1)

## Pin Stripes (should be different color than trim tape. One set is included)

Mud-Flap (4b) \$ Color \_\_\_\_\_ Color \$ \_\_\_\_\_  
 Shivel Flap \$ Color \_\_\_\_\_ Color \$ \_\_\_\_\_  
 Kit \$ (Includes: winglets, shivel flap, mud-flap container sidewall & leg pads) Color \_\_\_\_\_

## Custom Embroidery

Name on #4b \$ Left (User's) \_\_\_\_\_ Right (user's) \_\_\_\_\_  
 Thread Color Left \_\_\_\_\_ Right \_\_\_\_\_  
 Style  Script  BLOCK  Script  BLOCK  
 CR Logo on both Side Flaps \$  No "Perigee" Embroidery #5 \$  
 Custom Design on #2 and /or #3 (contact us) \$

## Harness Options

3-Rings  Mini  Large  None  
 Black  Silver  Purple  Custom \$ \_\_\_\_\_  
 Release Handle  Stainless Steel Hip Rings \$  
 Black  Red  Stainless Steel Kit \$ (all hd.ware)  
 Articulated Lower Harness \$  B-12 Snaps (not available w/ Art. Harness) \$  
 Stainless Steel Harness Rings \$  Front Riser Dive Loops \$  
 Type 17 (1.0") Chest Strap  
 D-Rings (permanent) \$

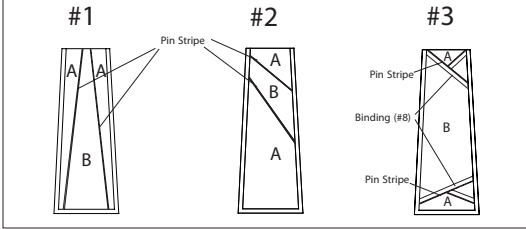
## Container Options

"Jack the Ripper" hook knife mounted in LH mud-flap \$  
 Tie Dye Fabric \$  
 Back Pad Pocket \$  
 Owner's Manual on CD (IBM)

## MEASUREMENTS

See reverse for instructions

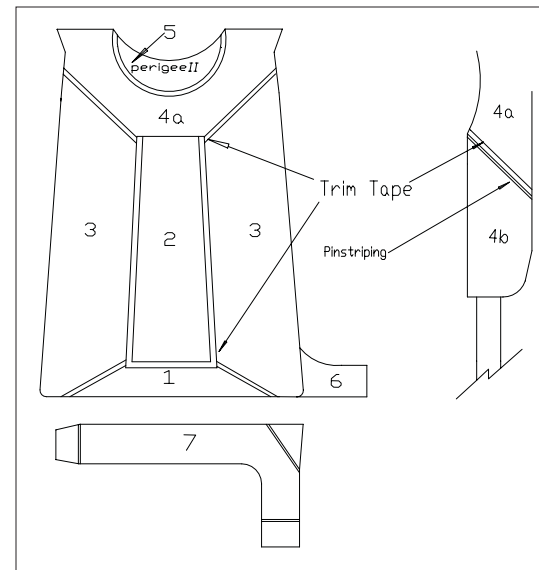
Male  Female   
 Height \_\_\_\_\_ Weight \_\_\_\_\_  
 Chest \_\_\_\_\_ Waist @Navel \_\_\_\_\_  
 Torso \_\_\_\_\_ Leg Strap \_\_\_\_\_  
From base of neck below adam's apple to top of hip bone on side of body  
Top of hip bone-around leg and back to hip bone  
 Previous Perigee SN \_\_\_\_\_ Inseam \_\_\_\_\_



## Mid-Flap Options

## Mid-Flap Colors

Standard-No option Panel A \_\_\_\_\_  
 Option #1 \$ Panel B \_\_\_\_\_  
 Option #2 \$ Pin stripe \$ \_\_\_\_\_  
 Option #3 \$



## Pilot Chute Choice (one is included)

46" AV  46" STD.  
 42" AV  42" STD.  
 38" AV  38" STD.  
 32" AV  32" STD.

## Pricing

All Items above marked with a "\$" cost additional.

Perigee Pro Package: \$810 Includes Rig with one set of pin stripes, BASE Risers / Toggles, Pilot Chute (your choice), Bridle, Stash Bag, T-shirt, and Manual.

Custom Mid Flap	\$40	No PPro embroidery on #5	\$25	D Rings	\$50
2 Color #4 (both)	\$25	Custom Colored Harness	\$25	B 12 Snaps	\$75
Tape Color Change (Each)	\$15	Articulated Lower Harness	\$105	Hook Knife	\$20
#1 Flap Different from Sidewall	\$35	Stainless Harness Rings	\$60	Tye Dye:	
Extra Pin Stripe	\$10	Stainless Hip Rings	\$60	Full	\$210
Pin Stripe Kit	\$40	Stainless Steel Kit	\$225	Partial	\$110
Name on #4 B (per side)	\$25	Front Riser Dive Loops	\$15		
AD Logo on #3 (both)	\$45	Back Pad Pocket	\$30		

# Measuring Guide

To perform it's best, your Harness / Container System must fit well.  
To help ensure this we have provided the following guideline for taking accurate measurements.

Next to the description of each measurement are two numbers. These denote the typical (medium) length for that measurement. The format is inches / cm. Use this as a reference to be sure your measurement makes sense.

## A few tips for successful measuring:

- Do not attempt to measure yourself . Get someone to help.
- Wear the clothes you will most likely be jumping in.
- Take each measurement 3 times and use the average.
- Do not make "corrections". If you have a special request, place it in the comments field below.

## Height

With no shoes on, stand erect against a wall and record the point that is in-line with the top of your head. (69 /175)

## Weight

Stand on a scale- don't guess. (160 /72.5)

## Chest

Measure across nipples or below breasts. (40 /102)

## Waist

Measure at navel. (32 /81)

## Torso

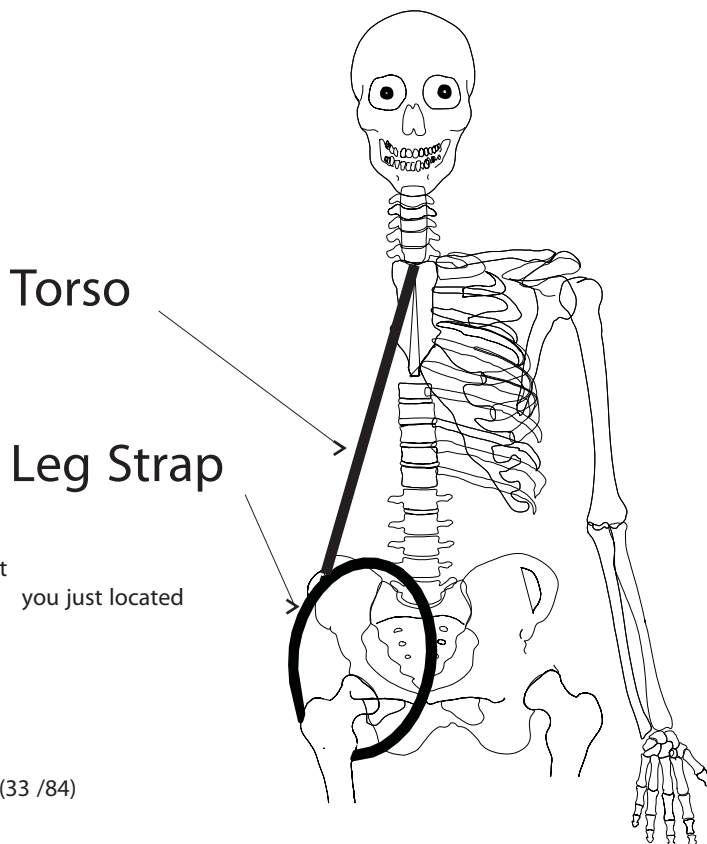
Place your finger tips into your arm pit and move your hand down the side of your body until you feel the high point of the hip bone. Leave your hand here and have your assistant measure from the hollow point at the base of your throat (just below the adam's apple) to the point on your hip . (20 /51)

## Leg Strap

Place the tape at the same point on your hip used for the Torso measurement and pass it around your leg as a leg strap would go. Do not pull too tight and be sure you do not have anything in your pocket. (33 /84)

## Inseam

With feet shoulder width apart and no shoes on, measure from the crotch to the floor in a straight line. (32 / 81)



## Comments / Special Instructions

## Colors

### Cordura:

Black, White, Smoke, Silver, Red, Gold, Navy, Royal, Purple, Orange, Forrest Green, Flo. Yellow, Flo. Green, Woodland Camo., Fuschia, Jade.  
Tie dye is custom created for each application-call.

### Binding Tape:

Black, White, Smoke, Silver, Red, Gold, Navy, Royal, Light Blue, Purple, Flo. Orange, Forrest Green, Flo. Yellow, Fuschia, Flo. Green, Jade, Turquoise, Yellow, Lavendar.

The content of this box is the color list provided in the text above.